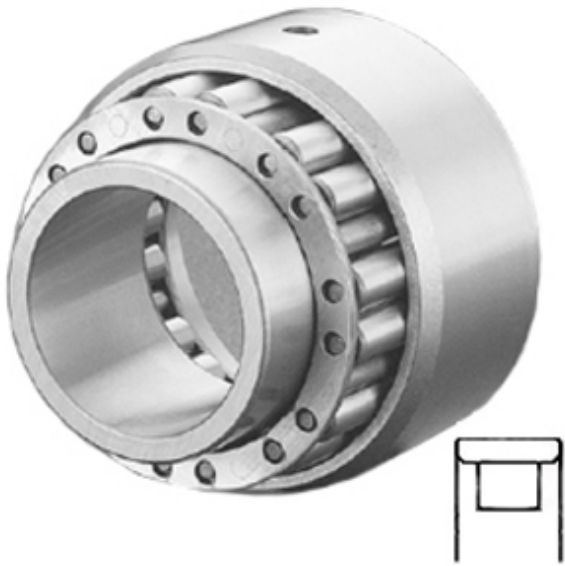




EBC BEARING LTD



B-209-25 Bearing 2D drawings and 3D CAD models

2.188 Inch | 55.575 Millimeter x 3.346 Inch | 85
Millimeter x 1.563 Inch | 39.7 Millimeter
ROLLWAY BEARING B-209-25 Cylindrical
Roller Bearings

Bearing No. B-209-25

Category	Cylindrical Roller Bearings
Inventory	0.0
Manufacturer Name	REGAL BELOIT
Minimum Buy Quantity	N/A
Weight	0.795
EAN	0637410012714
Product Group	B04144
Bore Profile	Straight
Cage Material	Steel
Precision Class	RBEC 1 ISO P0
Number of Rows of Rollers	Single Row
Separable	Outer Ring - Both Sides
Rolling Element	Cylindrical Roller Bearing
Profile	Roller Assembly with Outer Ring - No Inner Ring
Snap Ring	No
Internal Clearance	Not Applicable
Retainer	Yes
Relubricatable	Yes
Inch - Metric	Inch
Other Features	Journal Roller Plain Outer Ring Outer Ring with Oil Holes Flush Ground End Roller Assembly
Long Description	2-3/16" Bore; Straight Bore



EBC BEARING LTD

	Profile; 3.346" Outside Diameter; 1-9/16" Width; Steel Cage Material; RBEC 1 ISO P0; Single Row; Outer Ring - Both Sides Separable; No Snap Ring; Relubrica
Category	Cylindrical Roller Bearing
UNSPSC	31171547
Harmonized Tariff Code	8482.50.00.00
Noun	Bearing
Keyword String	Cylindrical
Manufacturer URL	http://www.emerson-ept.com
Manufacturer Item Number	B-209-25
Manufacturer Internal Number	B20925
Weight / LBS	1.75
D	3.346 Inch 85 Millimeter
d	2.188 Inch 55.575 Millimeter
B	1.563 Inch 39.7 Millimeter